

# LOW PROFILE STATIC SCISSOR TABLE



## TECHNICAL FEATURES

### ALL MODELS

- 1,000kg capacity
- Standard or U-shaped design (Euro Pallet) for loading with a pallet truck)
- 3 Phase mains powered tables, 13Amp isolator
- These tables achieve a low closed height, eliminating the need for pit installation
- All tables are manufactured to European standard – EN1570:2011
- Remote power pack mounted on pedestal, protected to IP 54
- Suitable for light, infrequent use
- Upper platform fitted with safety trip bar to prevent decent on detection of obstruction
- Check valve included for slow, controlled lowering in the event of a burst hose. The safety trip bar will still prevent the table from dropping altogether if it is still powered.
- Removable lifting eyes to facilitate handling installation and inspection

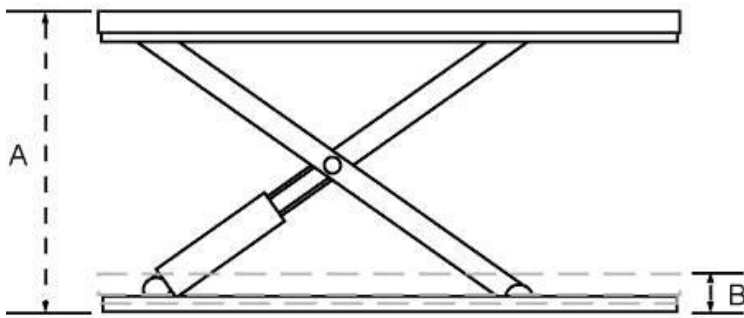
## TECHNICAL SPECIFICATION

“U-Shape” low profile table (585mm gap for pallet truck access)

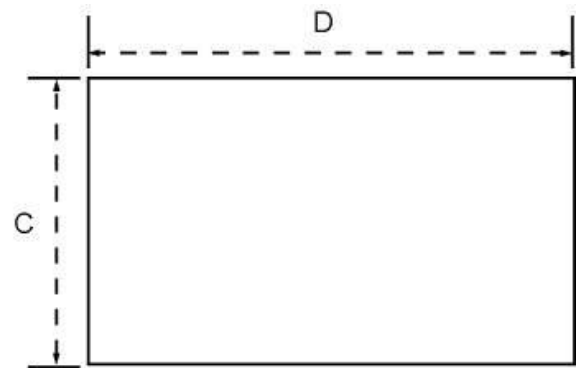
	CAPACITY	A RAISED HEIGHT	B CLOSED HEIGHT	C PLATFOR M WIDTH	D PLATFOR M LENGTH	LIFTING TIME	POWER PACK	NET WEIGH T
BD-HU-1000	1,000KG	875mm	90mm	1,140mm	1,450mm	21 sec	AC 0.75	280KG

Standard low profile table (these tables are supplied with loading ramps 905mm long, 1140mm wide - against the short side)

	CAPACITY	A RAISED HEIGHT	B CLOSED HEIGHT	C PLATFOR M WIDTH	D PLATFOR M LENGTH	LIFTING TIME	POWER PACK	NET WEIGHT
BD-HY-1001	1,000KG	875mm	90mm	1,140mm	1,450mm	21 sec	AC 0.75	280KG



side elevation



platform specification

